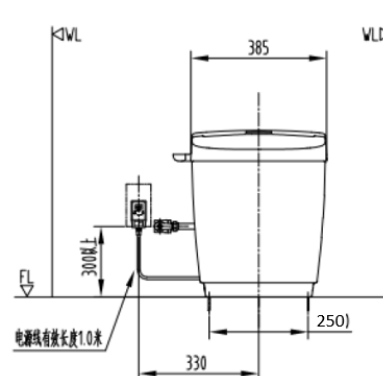
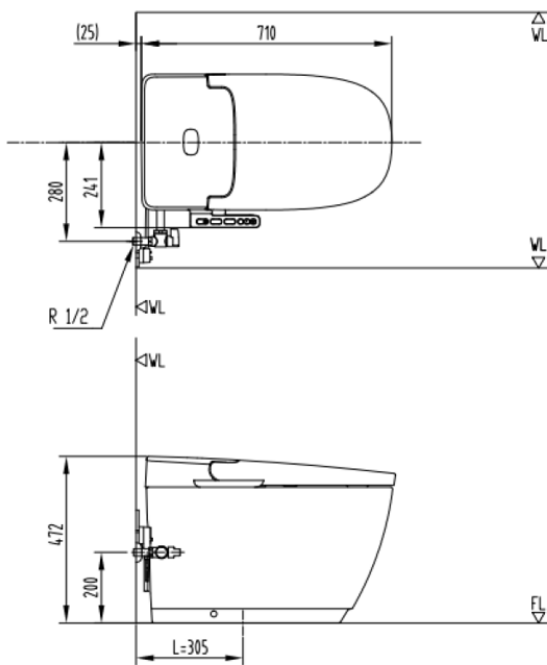




Brand : INAX, Japan  
 Name : SARAS Light-E with side panel  
 Item Code : AC220V/50/60Hz  
 AC-816VN  
 Designer :  
 Color / Finish: White  
 Dimensions : 710(L) x 385 (W) x 472(H) mm

**Product info:**

- Automatically flushes after 6 seconds or by control panel
- Powerful vortex 3.5/5lpm flush technology
- Aqua Ceramic technology : yellow or water stains cannot form on bowl
- 2 specialized nozzles that clean automatically before & after use
- With anti-bacterial technology on the nozzle and seat (SIAA certified)



Flushing of pipe must be done before fittings are installed. Failure to do so voids the warranty.

Follow cleaning instructions and avoid using any harmful chemicals.

All information is for reference only. Installation shall always be based on the specs provided with actual delivered items.

For more info, visit [www.kuysen.com](http://www.kuysen.com)